



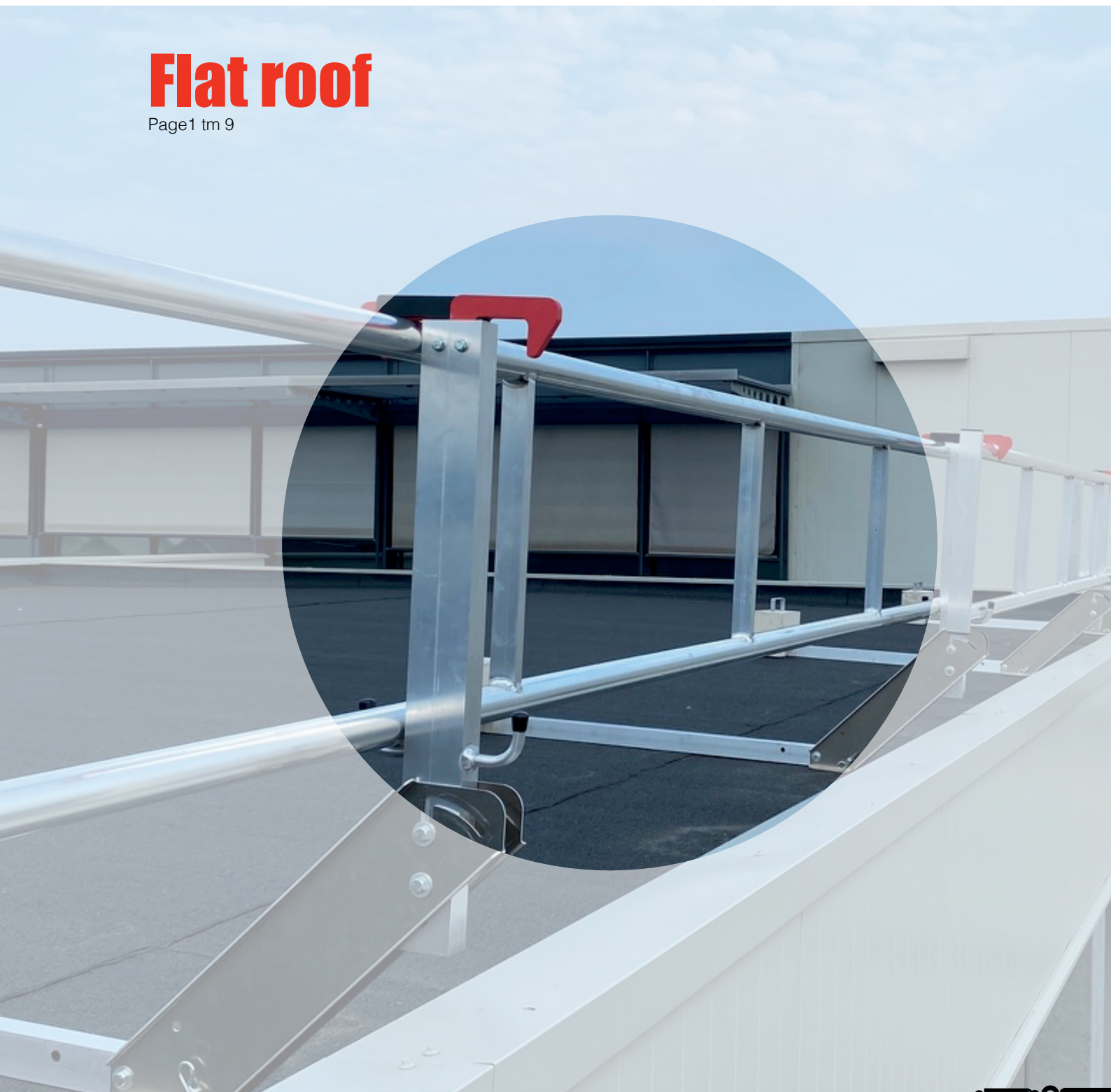
USER INSTRUCTIONS

RSS Roof Edge Protection System according EN 13374 +A1 2019 Class A



Flat roof

Page1 tm 9



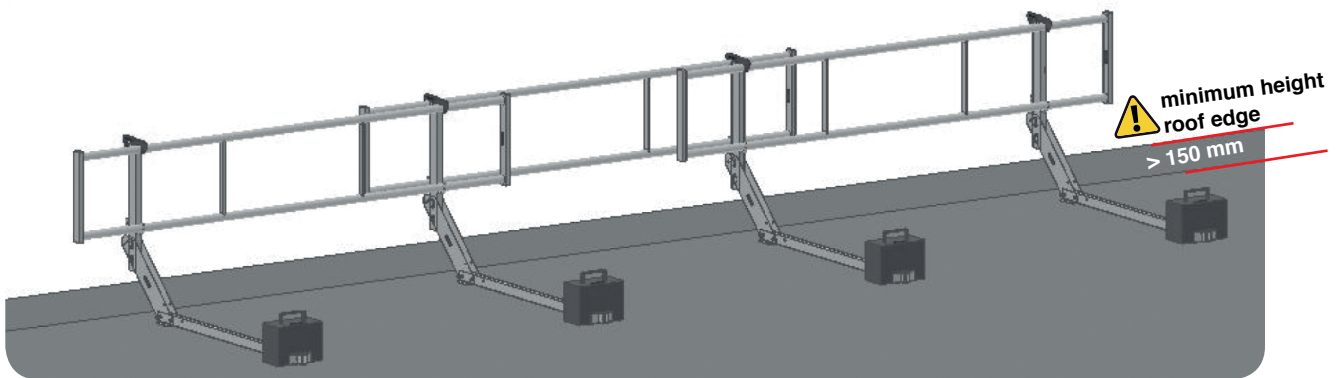
Flat roof

RSS Roof Edge Protection System according EN 13374 +A1 2019 Class A



A Goal of the RSS system

Under local and European regulations, it is in most cases obliged by law that roof edges must be guarded to prevent falls when working on a roof. The RSS system is designed to realize effective group fall protection on flat and sloping roofs.



The RSS system should be used with a fence of 3 or 4 metres in length. If installed according to these instructions, it is suitable as temporary protection as described in EN 13374 +A1 for the situation described below:

The system is suitable only for **flat roofs**

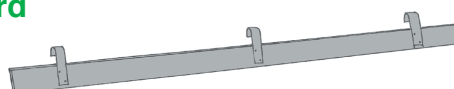
- Roof gradient up to 10 degrees.
- Roof edge with a minimum height of 150 mm (15 cm)*



Attention

The gap between the work surface and the toeboard may not exceed 20 mm!

* If the roof edge does not have the minimum required height, the **RSS flat roof toeboard** has to be mounted!

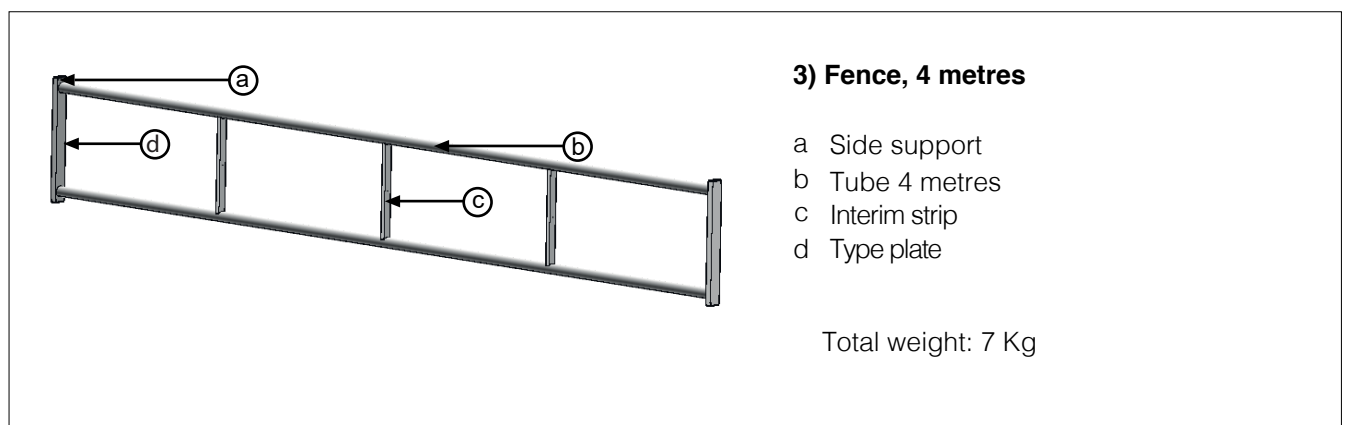
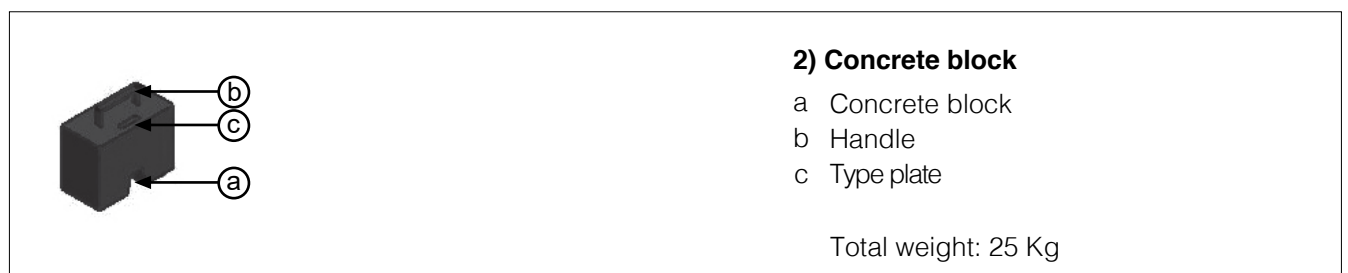
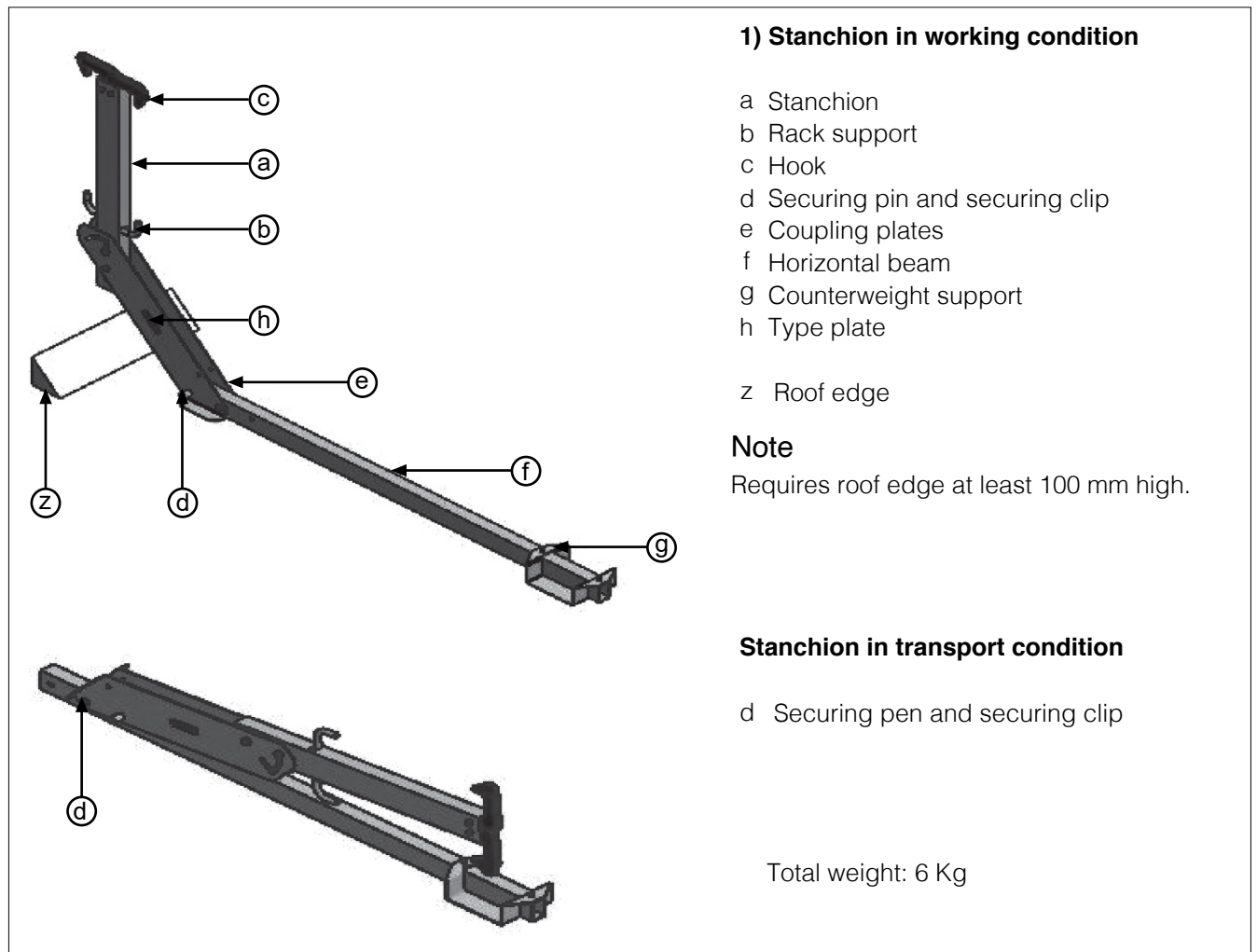


Have the system checked at least once a year.

Maintenance, control / inspection and assessment has to be done by an expert.

B**Components of the RSS System**

The RSS system consists of 3 components:



Total weight and load roof system (2x upright, 1x ballast block, 1x fence): 38 Kg

C

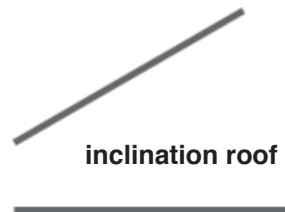
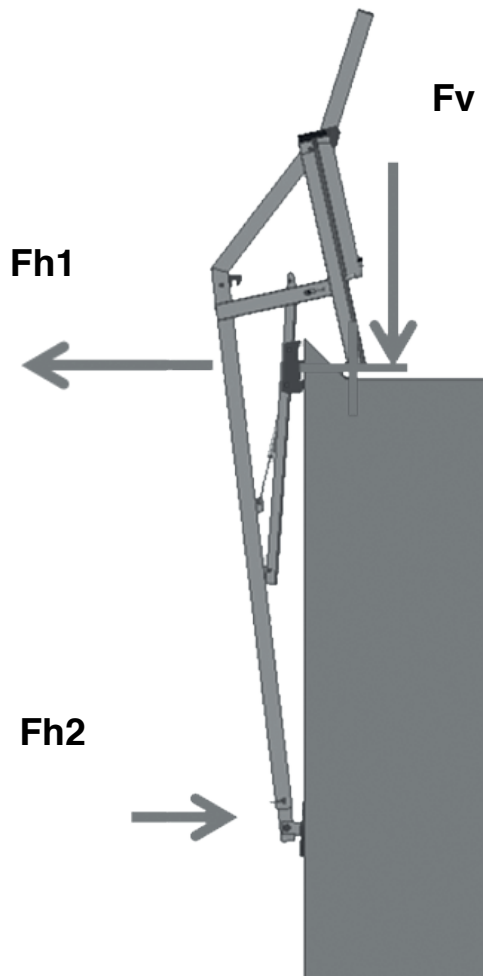
Flat roof

EN 13374 +A1 2019 temporary Edge Protection Systems Class A.

class	static load [kN].			dynamic load [kN].			
	Fh1	Fh2	Fv	Roof Inclination	Fh1	Fh2	Fv
A	0.5	0.2	1.5		not applicable		



**Class A
EN 13374 +A1 2019**



- Fh1** Horizontal reaction force on the gutter
- Fh2** Horizontal reaction force of arm on the wall
- Fv** Vertical reaction force on the gutter

The static requirements can be confirmed by means of calculation. In practice, this is done e.g. by connecting a rope to the gutter and simulating the forces specified in the table.

D**Installing and Dismantling**

The RSS system offers collective fall protection.



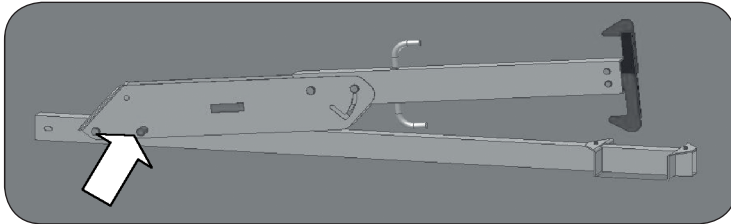
USE INDIVIDUAL PROTECTION WHEN INSTALLING, DISMANTLING OR MOVING THE RSS SYSTEM!

Before assembly:

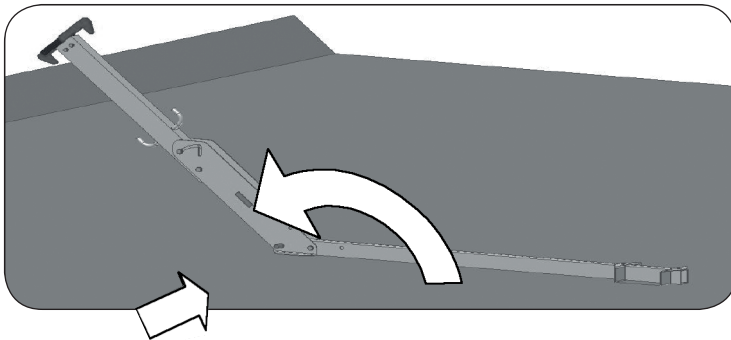
Check that all components of the RSS system to be used are free of damage and any faults. Check that the roof gradient meets the requirements for flat roofs.

During assembly:

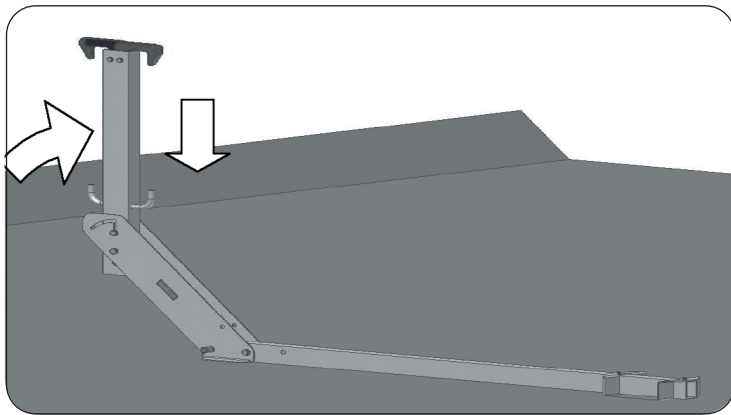
Assemble 2 stanchions and 1 fence section in a safe zone and then push the whole unit to the roof edge and secure it completely with the concrete blocks.

Assembling stanchions

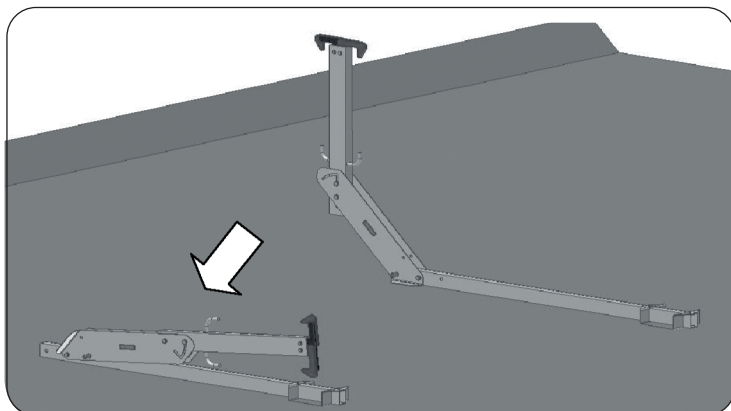
- 1** Assemble the first and second stanchions in the safe zone.
- 2** Remove the securing clip and securing pin.



- 3** Unfold the stanchion with coupling plate and install the securing clip and securing pin.



- 4** Set the stanchion in the vertical position and press it downward.
- 5** Check that the top bolt of the stanchion sits in the lowest position of the vertical slot.



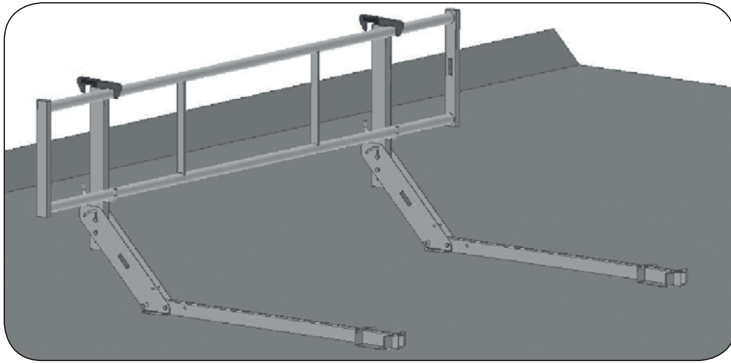
- 6** Place the second stanchion within the fence section 1 meter from the first stanchion.
- 7** Repeat steps 2 to 5 inclusive.

D**Installing and Dismantling**

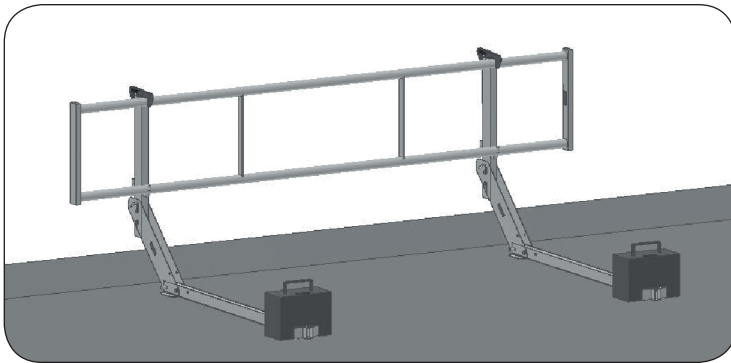
The RSS system offers collective fall protection.



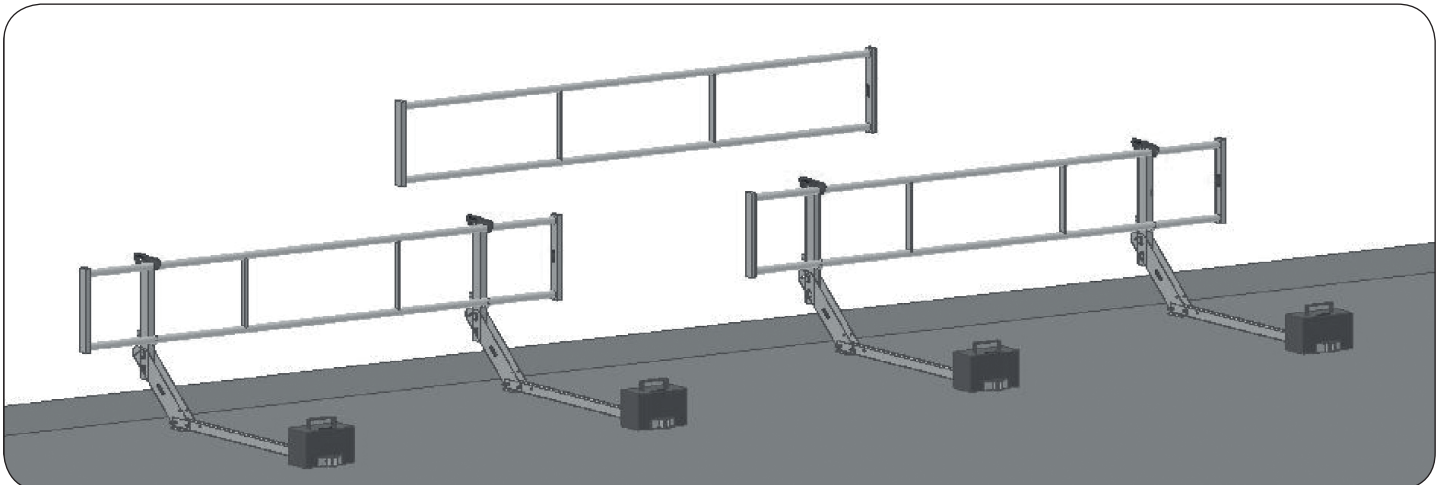
USE INDIVIDUAL PROTECTION WHEN INSTALLING, DISMANTLING OR MOVING THE RSS SYSTEM!

**Placing fence**

- 8** Place the fence with the bottom tubes in the rack support.
- !** **Caution:** End of fence must protrude at least 50 cm!
- 9** Turn the fence against the stanchions and lock the hooks on the first and second stanchions.



- 10** Push the fence against the roof edge and place the concrete blocks.
- 11** Place a 2nd fence section following points 1 to 10 inclusive.
- 12** Place the closing fence between the 1st and 2nd fence sections.



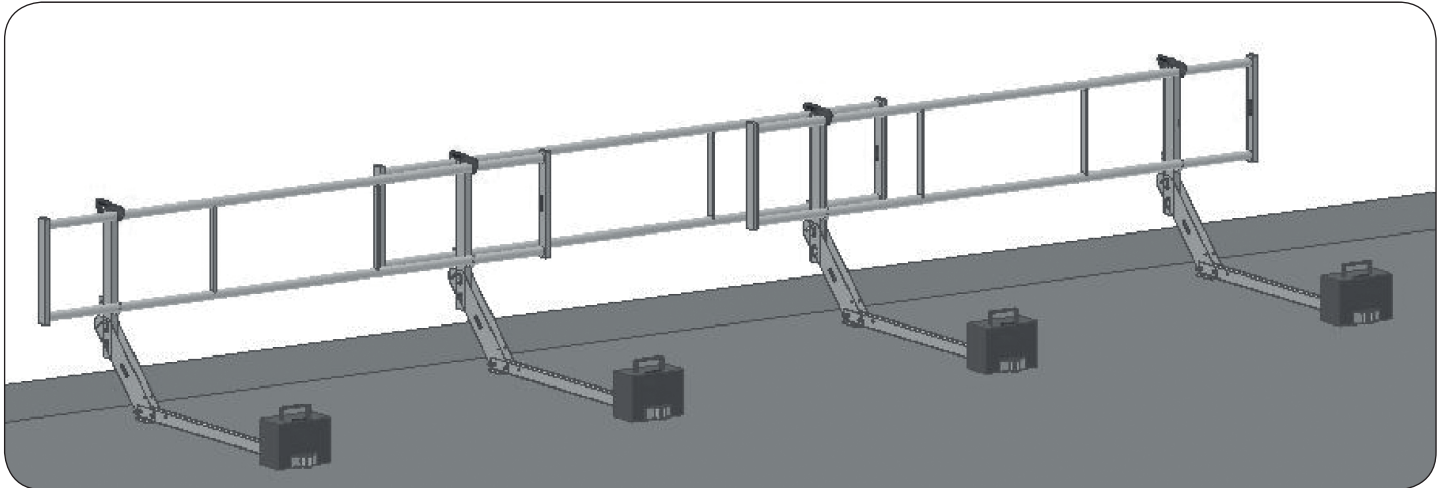
D**Installing and Dismantling**

The RSS system offers collective fall protection.



USE INDIVIDUAL PROTECTION WHEN INSTALLING, DISMANTLING OR MOVING THE RSS SYSTEM!

- 13 Dismantle / break down the system in the reverse order.

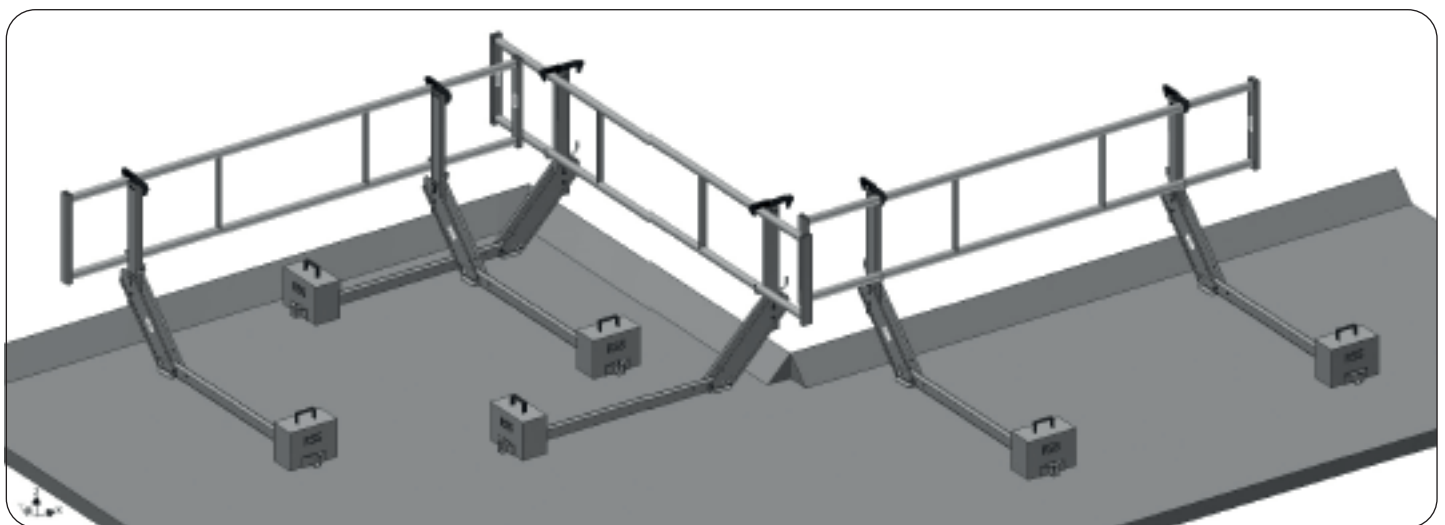


Note: Note: Each section of fence must have at least 2 stanchions as support. Stanchions must be a maximum of 2 metres apart with a fence of 4 metres

Corner formations

In this system, no additional items are required to secure the inside and / or outside corners. This is done only with a new arrangement of the systems (see picture below) with each other:

- Finish your work on the secured eaves
- Start according to the above steps with a new standard, which is under the required angle with respect to the already existing system is provided, and thus protects the inside or outside corner.
- Repeat this process for each corner; start over with a new standard every time.



Attention

The horizontal gap between the edge guards may not exceed 20 mm!

You also then can use our cornerprotection S268 to close the gaps.



- 1) Never attach other elements (eg sails) to parts of the RSS system!
- 2) Dismantle the system with a wind force greater than 5 bft. Wind force 5: fresh breeze, larger branches and trees move, wind is clearly audible and has a speed of 29 to 38 km / h. (Source: Beaufortskala)
- 3) During snow or sleet, the roof can be slippery and is prohibited, even with the RSS roof edge protection system, to access the roof.
- 4) Only use undamaged and correctly functioning components! Before use check all the components and visually inspect them. All components should be inspected and passed by an expert yearly.
- 5) After a person or object has fallen towards or into the safety system or its accessories, the system may only be reused after inspection by a qualified person (EN 13374 +A1 2019).



> 5 bft



Important

Mandatory PPE during assembly / disassembly RSS roof edge protection system

See our **Pitched roof set basic set** in accessories

This set contains

- safety harness with two hook-on points
- a safety line and a rope grab
- a throwline to get the kernmantel line over the roof
- a sling to create a temporary attachment point.



Remarks Max. distance to be covered: 20 m.

Can only be used when there is at least 2 m of free falling space from the foot height of the user.

- Since there is always a risk of falling during installing or disassembling of the system, this only may be carried out by instructed persons. A safe stand is always required for this work.
- Never attach other elements (such as canvas) to parts of the RSS system!
- Always use undamaged and properly functioning parts! Check all parts before use (the most important parts of the system are marked in red) and undergo a visual inspection!

Maintenance and inspection:

All parts of the system must before usage or at least once a year undergo a expert inspection. This test must, for a appropriate occupational health and safety policy, be recorded in writing. The systems are reliable and can be used as:



- No damage or permanent changes in any form are observed.
- Bolts and split pins are in perfect condition, have good spring pressure and are functional.
- Holes and notches in the clutch plates are undamaged and ensure a good fit.
- The aluminum parts and plastic parts have no cracks or cracks other damages
- Metal parts have no corrosion damage
- The marking on the nameplates is present

