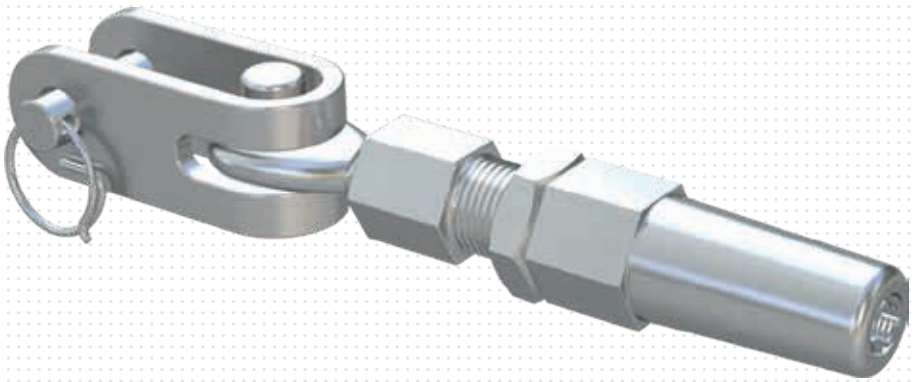




SAFETYCONCEPT

## ABS Gabelkopf (lose) / ABS clevis (loose)

SY-1008 / SY-1008A



MoA 246-01



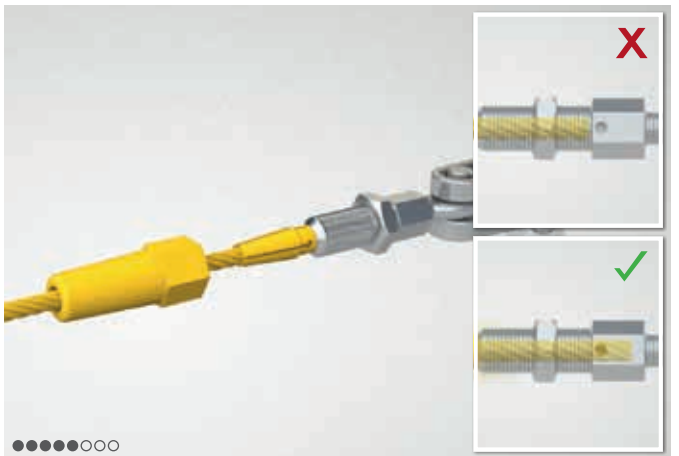
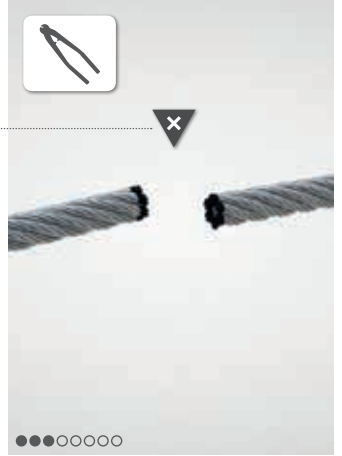
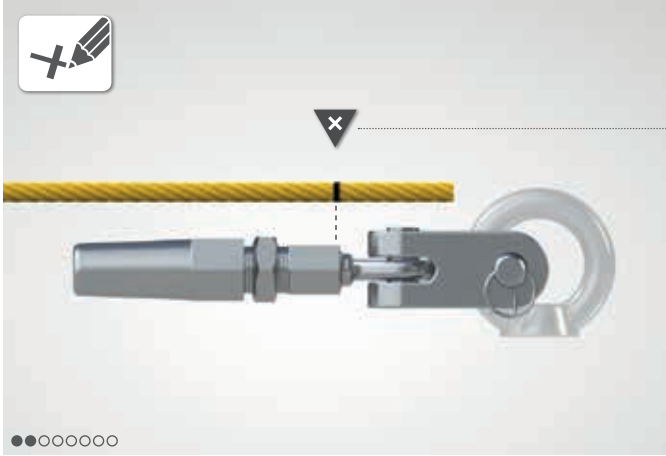
DIN CEN / TS  
16415:2013

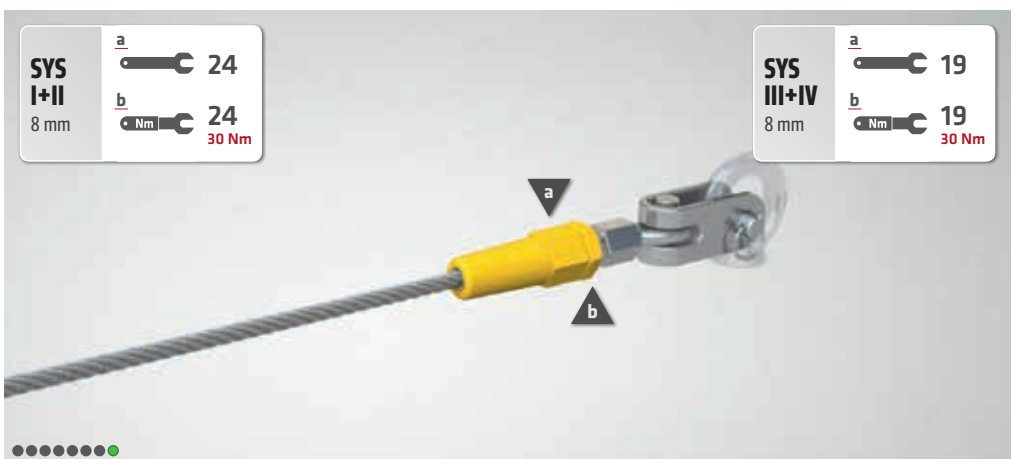
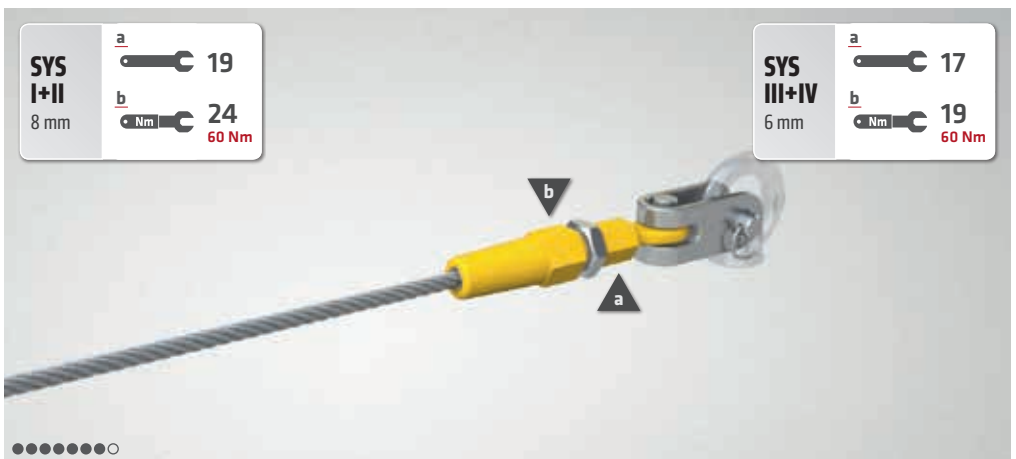


DIN EN 795:  
2012



2 | ABS Gabelkopf (lose) / ABS clevis (loose)  
SY-1008 / SY-1008A





**ALWAYS ON TOP!**

---

**ABS Safety GmbH**

Gewerbering 3  
D-47623 Kevelaer  
Germany

**SafetyConcept S.A.**

45, rue Hussigny  
L-4461 Belvaux  
Luxembourg

France : 09 77 55 01 80  
Belgique : 078/480 108  
Luxembourg : 26 59 69-22  
Fax : +352 59 60 01  
Mail : [contact@safetyconcept.eu](mailto:contact@safetyconcept.eu)

[www.safetyconcept.eu](http://www.safetyconcept.eu)